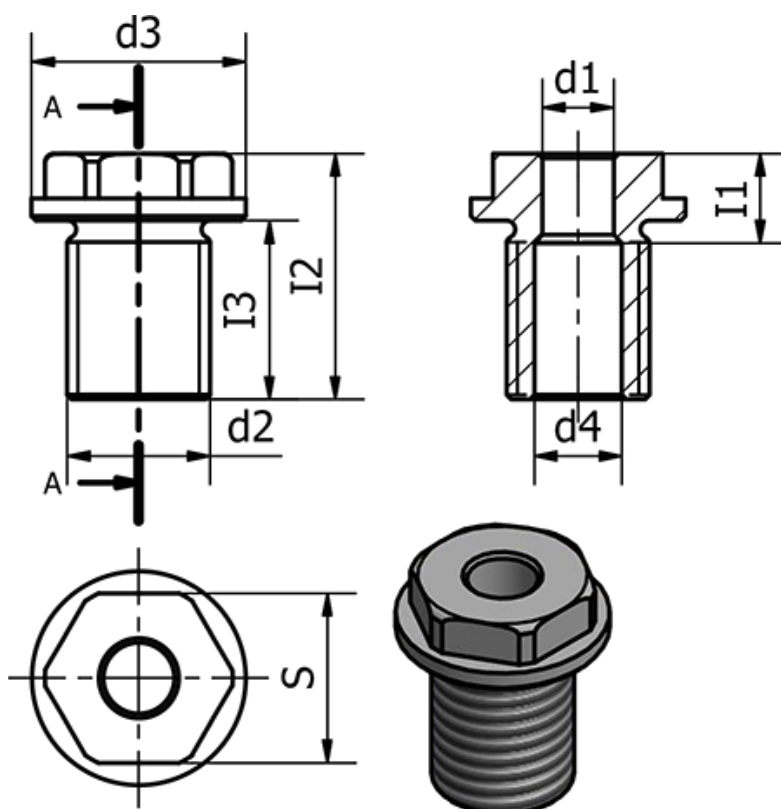


Article number: 201132810M16x15A

Description: E+G Holding bushes for lifting pins,
GN 1132-8-10-M16x1.5-A

Measures



d1 = 8

d2 = M16 x 1,5

d3 = 24

d4 = 9.800000000000000007

I1 = 10

I2 = 27.5

I3 = 20

s = 19

Tightening torque in Nm = 90